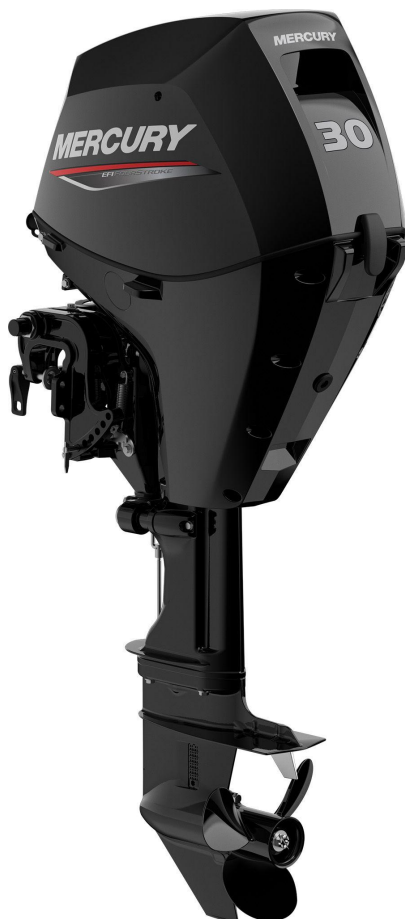


Mercury 30 HP EFI Fourstroke

\$7850.00



Description

Mercury 30hp FourStroke outboard makes light work of your biggest adventures. Quick and compact. Reliable and durable. Efficient and easy to own. FourStroke outboards bring big capabilities to small vessels.

Speed and Acceleration

FourStroke outboards are optimised for reliable performance and fun in all seasons. The 500cc, single-overhead cam design delivers the fastest speed and acceleration among 3-cylinder, 30hp outboards.

Lightweight & Compact

Pound for pound, these outboards are big performers. They're the lightest 3-cylinder outboards in their class.

Powerful Alternator

Even at low speeds, the 17-amp alternator delivers powerful battery-charging output to keep onboard electronics humming. And there are no belts or bearings to maintain.

FourStroke Advantage

Power to Move More: With efficient air intake, the powerhead generates impressive torque to move heavy loads with ease. And because the engine works less, it lasts longer, for years of reliable service.

Remote or Tiller Controls: Configure your outboard to fit your boat and your needs, with remote controls for steering from the helm or a nearly 23-inch tiller that's perfect for precision handling.

Comfortable Setting: The tiller adjusts for left- or right-handed driving and features a down-angle stop that holds it at the right height for comfortable steering while seated or standing. Throttle friction can also be adjusted to help hold speed.

Custom-Matched Prop: A series of Black Max propellers, designed specifically for the 25 and 30hp FourStroke family and offered in 1-inch pitch increments, lets you choose the perfect prop to optimise performance with your boat.

Horsepower



30hp EFI

Engine type Inline 3
Displacement (CID/CC) 30.5 cu in (500cc)
Full throttle RPM 5800-6200
Starting Electric Manual
Steering Remote Tiller
Shaft length 15" / 381 mm 20" / 508 mm
Gearcase ratio 2.17:1
Dry weight *Lightest model available 145 lbs / 65.7 kg
Trim system Gas assist Power trim and tilt

